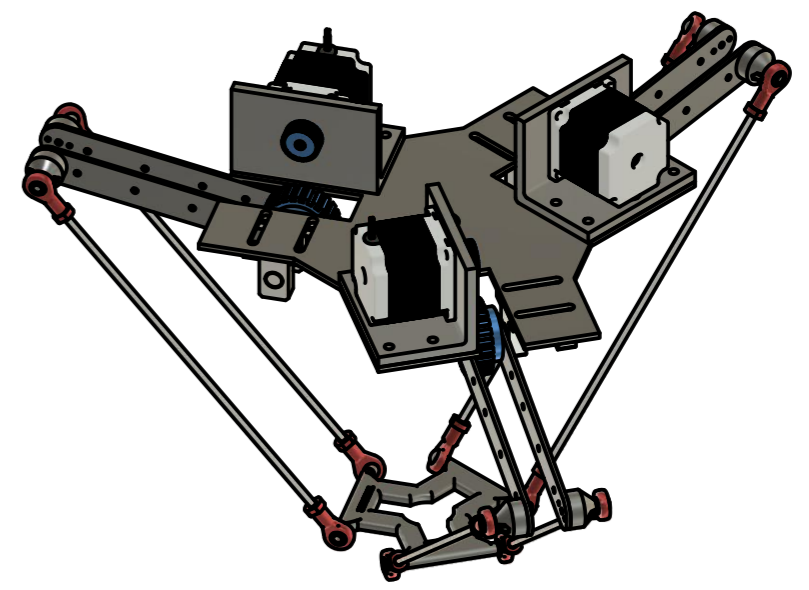


Parts List				
Item	Qty	Part Number	Description	Material
1	1	Base		Steel
2	6	12 mm rod alu support		Steel
3	3	Stepper Mount		Steel
4	3	12 mm axel		Steel
5	3	Pulley 50		Steel
6	3	Stepper Motor length 56mm		Steel
7	6	Arm		Steel
8	6	Ball Top		Steel
9	1	End Effector		Steel
10	6	Arm with joints v4		Steel
11	3	Pulley 25		Steel



Dept.	Technical reference	Created by <b>Ahmed Abidi</b> 24/04/2018	Approved by
		Document type	Document status
		Title <b>deltabot metal</b>	DWG No.
		Rev.	Date of issue
			Sheet <b>1/1</b>